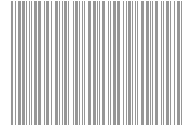


TG9 Series

T5802 .02

Information Socket 6e - UTP Shuttered - 1 module Quartz Gray

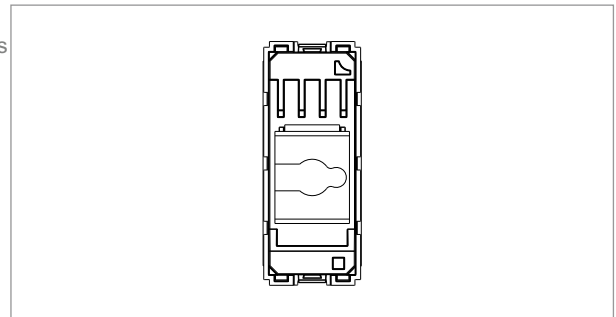


5267.51.8

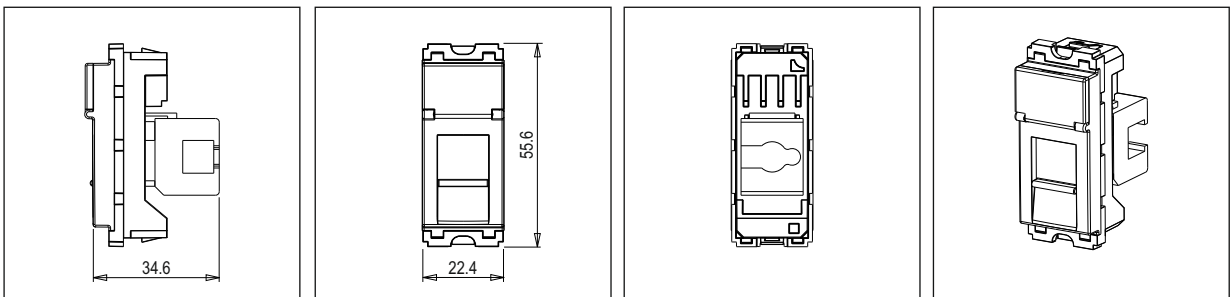


Code:	T5802 .02
Series:	TG9 Series
Family:	Communique & Support Modules
Module Size:	One Module
Colour:	Quartz Gray
Mark:	Norisys
Potential Bandwidth (Per sec):	1 Gb
Data Transfer Speed:	100 Mbps
Dimensions:	55.6mm x 22.4mm x 34.6mm
Weight:	17.70g

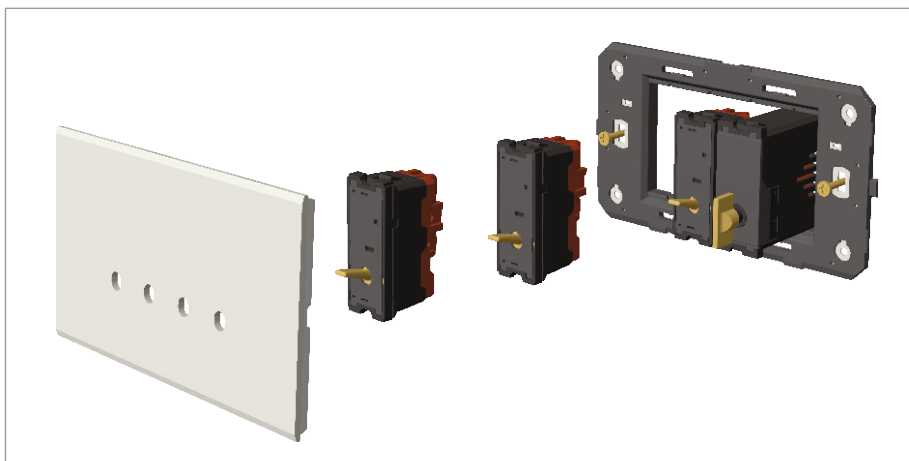
Wiring Diagram:



Drawings:



Installation:



Installation of the product should be carried out in compliance with the current regulations regarding the installation of electrical systems in the country where the product is installed.

The product should be installed by a trained professional following all safety norms.

Keep away from water and wet surfaces. While mounting the product, hands should not be wet.