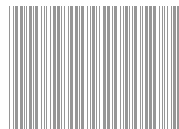


SQUARE Series

S7720 .23

Key Fob - customized Graphite Gray

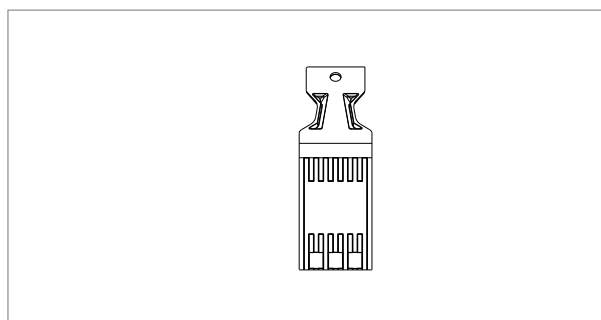


5267.51.8

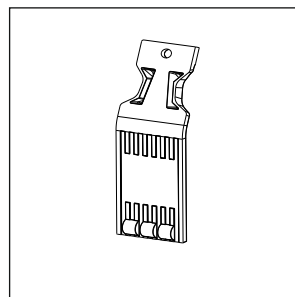
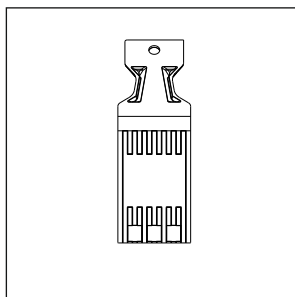
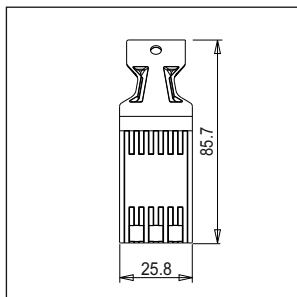
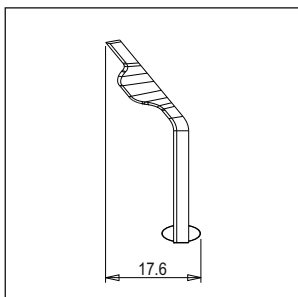


Code:	S7720 .23
Series:	SQUARE Series
Family:	Hospitality Modules
Module Size:	Two Module
Colour:	Graphite Gray
Mark:	Norisys
Rated supply voltage:	--
Maximum resistive load:	--
Dimensions:	25.8mm x 85.7mm x 17.6mm
Weight:	45g

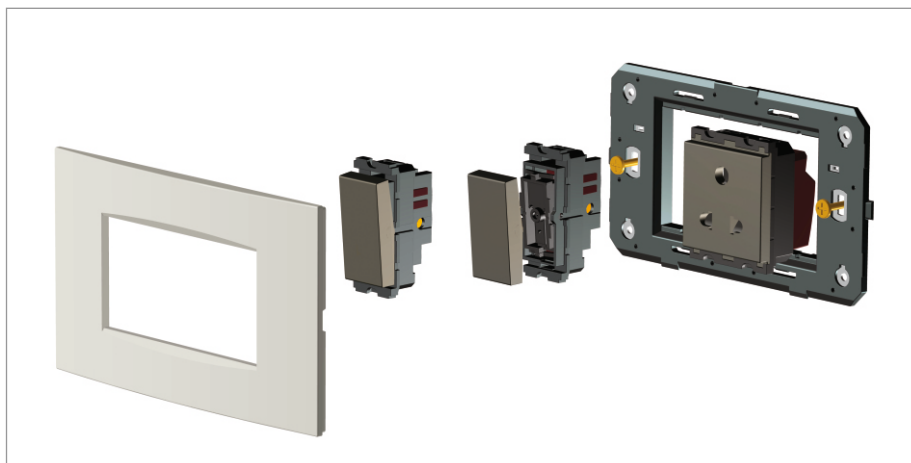
Wiring Diagram:



Drawings:



Installation:



Installation of the product should be carried out in compliance with the current regulations regarding the installation of electrical systems in the country where the product is installed.

The product should be installed by a trained professional following all safety norms.

Keep away from water and wet surfaces. While mounting the product, hands should not be wet.