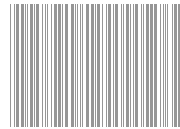
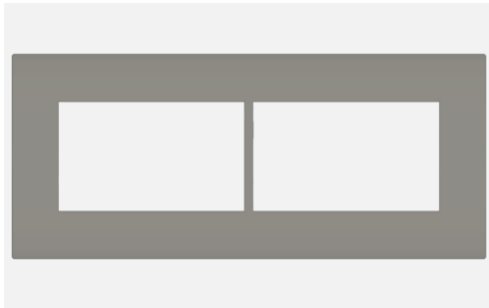


SQUARE Series

S7608 .23

8M Plate Graphite Gray

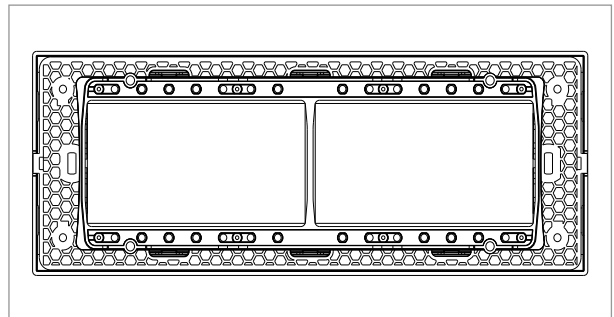


5267.51.8

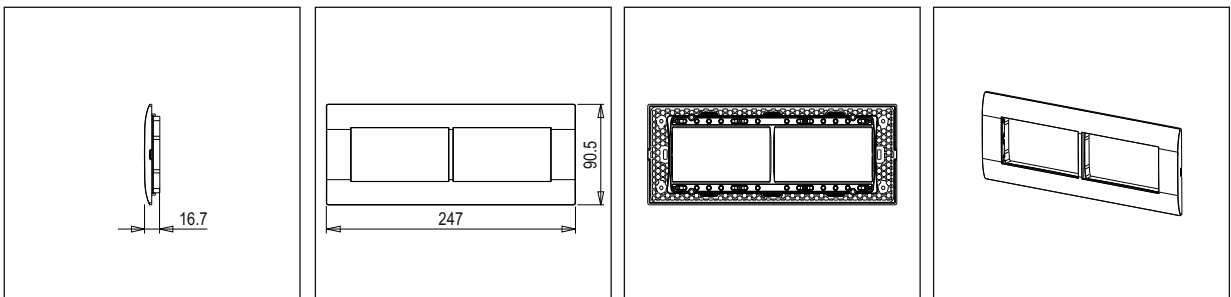


Code:	S7608 .23
Series:	SQUARE Series
Family:	Smart Plate with frames
Module Size:	Eight Module
Colour:	Graphite Gray
Mark:	Norisys
Rated supply voltage:	--
Maximum resistive load:	--
Dimensions:	247mm x 90.5mm x 16.7mm
Weight:	132g

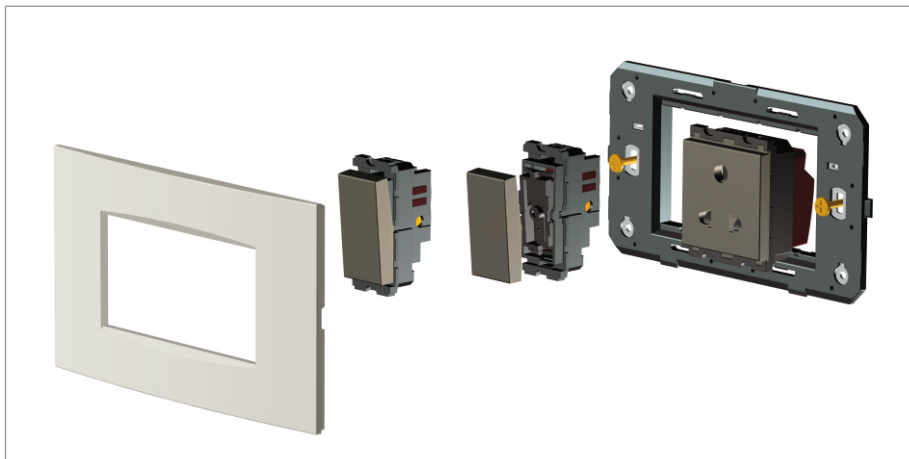
Wiring Diagram:



Drawings:



Installation:



Installation of the product should be carried out in compliance with the current regulations regarding the installation of electrical systems in the country where the product is installed.

The product should be installed by a trained professional following all safety norms.

Keep away from water and wet surfaces. While mounting the product, hands should not be wet.