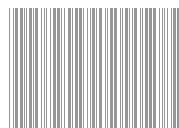


SQUARE Series

S7412 .23

Socket 6A 3+2 Pin And 2 pin Shuttered - 2 module Graphite Gray

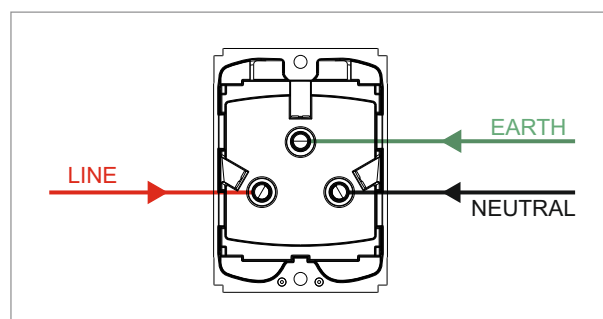


5267.51.8

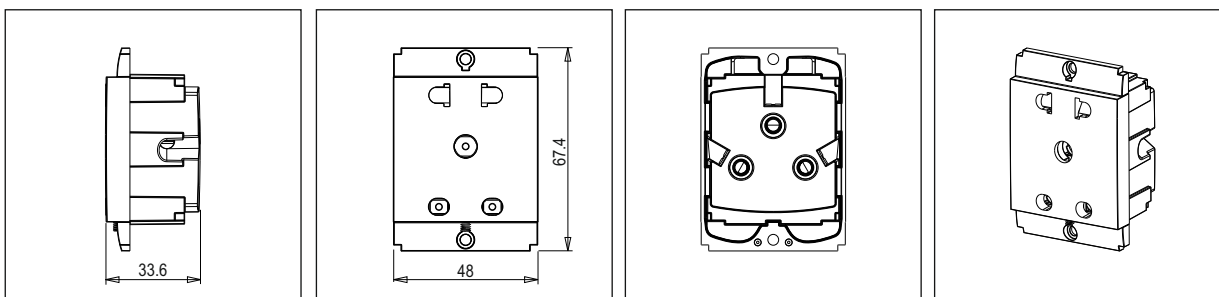


Code:	S7412 .23
Series:	SQUARE Series
Family:	Socket
Module Size:	Two Module
Colour:	Graphite Gray
Mark:	Norisys
Rated supply voltage:	240V
Maximum resistive load:	6A
Dimensions:	48mm x 67.4mm x 33.6mm
Weight:	45g

Wiring Diagram:



Drawings:



Installation:



Installation of the product should be carried out in compliance with the current regulations regarding the installation of electrical systems in the country where the product is installed.

The product should be installed by a trained professional following all safety norms.

Keep away from water and wet surfaces. While mounting the product, hands should not be wet.