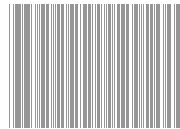


CUBE Series

CTTSP10 .01

Tiny MCB Single Pole 10A - One module Frost White - for mounting with CUBE Series

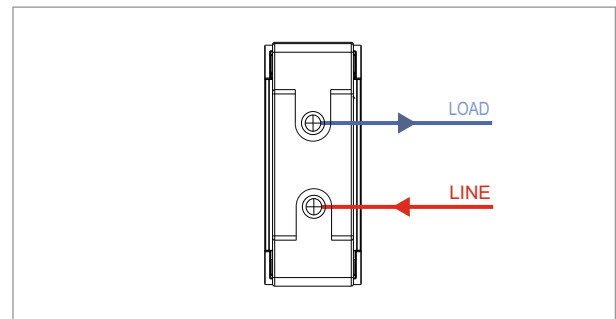


5267.51.8

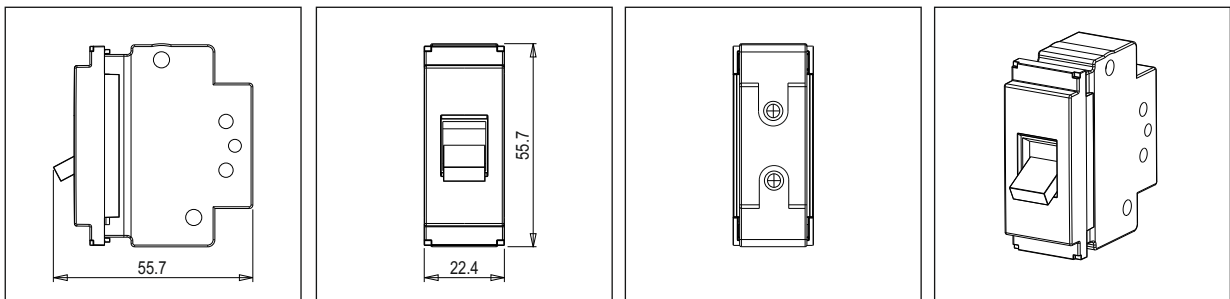


Code:	CTTSP10 .01
Series:	CUBE Series
Family:	Tiny MCB
Module Size:	One Module
Colour:	Frost White
Mark:	Norisys
Rated supply voltage:	240V
Maximum resistive load:	10A
Dimensions:	55.7mm x 22.4mm x 55.7mm
Weight:	59.4g

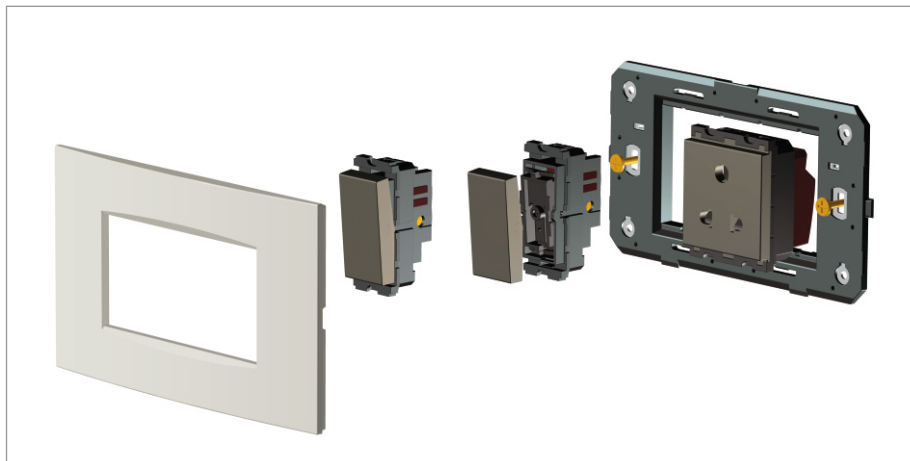
Wiring Diagram:



Drawings:



Installation:



Installation of the product should be carried out in compliance with the current regulations regarding the installation of electrical systems in the country where the product is installed.

The product should be installed by a trained professional following all safety norms.

Keep away from water and wet surfaces. While mounting the product, hands should not be wet.